



TM

STRONG PARTNERS. TOUGH TRUCKS.

Hyster ReachStacker

**RS 45-27 CH, RS 45-31 CH, RS 46-36 CH,
RS 46-41L CH, RS 46-41S CH, RS 46-41LS CH
Container Handlers**

**RS 45-24 IH, RS 45-28 IH, RS 46-33 IH,
RS 46-38L IH, RS 46-38S IH, RS 46-38LS IH
Intermodal Handlers**



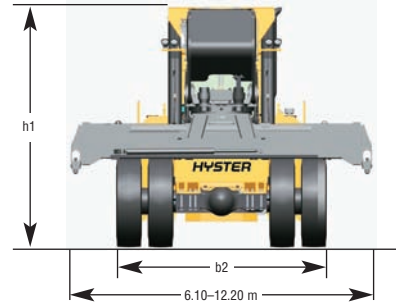
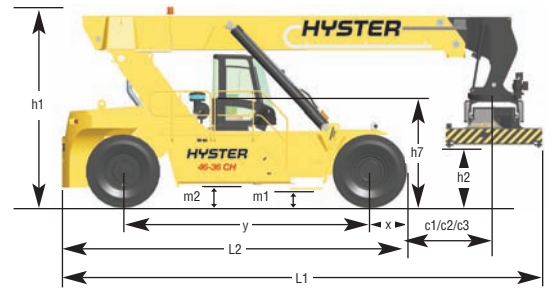
Specification data is based on VDI 2198

		HYSTER			HYSTER			HYSTER		
		RS 45-27 CH			RS 45-31 CH			RS 46-36 CH		
		Diesel			Diesel			Diesel		
CHARACTERISTICS	1.1	Manufacturer								
	1.2	Model designation								
	1.3	Power: battery, diesel, LPG, electric mains								
	1.5	Load capacity first / second / third container row						Q (kg)		
		Load capacity first / second / third row, with Stabilizer applied (truck static)						Q (kg)		
	1.6	Load centre first / second / third container row, from face of front tyres †						c ₁ /c ₂ /c ₃ (mm)		
1.8	Load distance to face of front tyres / front of Stabilizer						x (mm)			
1.9	Wheelbase						y (mm)			
WEIGHTS	2.1	Unladen weight			68 320			72 020		
	2.2	Axle loading with load, front / rear			99 769			13 551		
	2.3	Axle loading without load, front / rear			37 046			31 274		
WHEELS & TYRES	3.1	Tyres: L=pneumatic, V=solid, SE=pneumatic-shaped solid								
	3.2	Tyre size, front								
	3.3	Tyre size, rear								
	3.5	Number of wheels, front / rear (X = driven)								
	3.6	Track width, front (mm)								
	3.7	Track width, rear (mm)								
	DIMENSIONS	4.1	Boom angle minimum / maximum							
4.2		Boom height, minimum								
4.3		Minimum distance spreader from ground ■								
4.4		Maximum lift height under spreader, first / second container row ■								
4.5		Boom height, maximum								
4.8		Seat height								
4.19		Overall length								
4.20		Length without boom								
4.21		Overall width over front tyres								
4.30		Sideshift movement, from centre to left / right								
4.31		Ground clearance lowest point, without load								
4.32		Ground clearance, centre of wheelbase								
4.34		90° Stacking Aisle 20° / 40°, spreader central above front axle, without operating clearance ◆								
		90° Stacking Aisle 20° / 40°, without operating clearance ●								
		90° Stacking Aisle 20° / 40°, with 200 mm operating clearance ●								
	90° Stacking Aisle 20° / 40°, with 10% operating clearance acc. FEM TN01 ●									
	Outer turning radius									
PERFORMANCE	5.1	Travel speed with load / without load - with 224 kW engine								
		Travel speed with load / without load - with optional 272 kW engine								
	5.2	Lifting speed with load (35 ton) / without load, first row average - with 224 kW engine								
		Lifting speed with load (35 ton) / without load, first row average - with optional 272 kW								
	5.3	Lowering speed with / without load								
	5.6	Maximum drawbar pull with load								
	5.7	Gradeability with load, with 224 kW / optional 272 kW engine (1.6 km/h)								
	5.8	Maximum gradeability with load (224 kW engine)								
	5.10	Service brake								
	ENGINE	7.1	Engine make and type							
7.2		Engine power, in accordance with ISO1585, maximum @ 1800 rpm / nominal @ maximum 2100 rpm						kW (hp)		
7.3		Governed maximum engine speed								
7.4		Number of cylinders / displacement								
7.5		Fuel consumption, average								
OTHER	8.1	Drive control								
	8.2	Pressure for attachments								
	8.3	Oil flow for attachments								
	8.4	Noise level LpAZ, inside cab, per EN12053 †								
	8.4.1	Noise level LWAZ outside truck, per 200								
	8.5	Towing coupling type								

NOTE: Specifications are affected by the condition of the vehicle and how it is equipped, as well as the nature and condition of the operating area. If these specifications are critical, the proposed application should be discussed with your dealer.

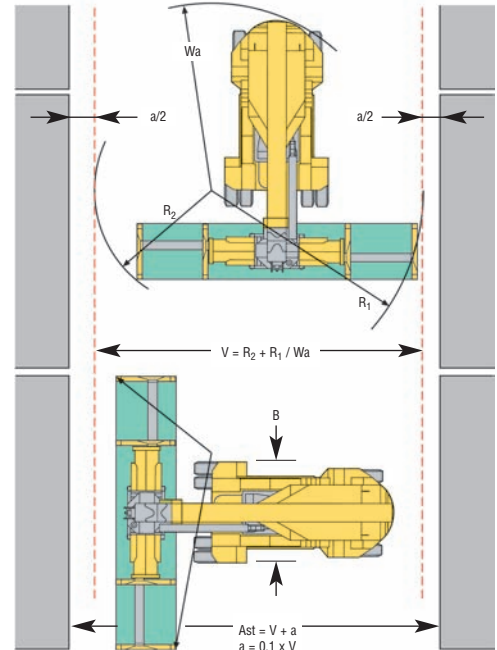
† Gradeability figures (lines 5.7 & 5.8) are provided for comparison of tractive performance, but are not intended to endorse the operation of the vehicle on the stated inclines. Follow instructions in the operating manual regarding operation on inclines.

Illustration shows CH model



90 Degrees Stacking Aisle

(According to FEM TN01)



A_{st} = Practical 90 degrees Stacking aisle
 = V (theoretical stacking aisle) + a
 (total operating clearance)

Where V = R_2 + the larger of R_1 or W_a

a = 200 mm (100 mm each side acc. VDI)

See line 4.34

a = 10% of V (acc. FEM TN01 recommendation).

HYSTER			HYSTER			HYSTER			CHARACTERISTICS
RS 46-41L CH			RS 46-41S CH			RS 46-41LS CH			
Diesel			Diesel			Diesel			1.1
46 000	41 000	23 000	46 000	38 000	21 000	46 000	41 000	23 000	1.2
N/A			46 000	41 000	28 000	46 000	41 000	30 000	1.3
1 865	3 815	6 315	1 865	3 815	6 315	1 865	3 815	6 315	1.5
930 / N/A			930			930			1.6
6 700			6 200			6 700			1.8
6 700			6 200			6 700			1.9

82 280		82 600		84 280		WEIGHTS
103 678	24 602	105 447	23 153	105 702	24 578	
40 247	42 033	40 610	41 990	42 466	41 814	2.2
40 247		42 033		40 610		2.3

L		L		L		WHEELS & TYRES
18,00 x 33		18,00 x 33		18,00 x 33		
18,00 x 33		18,00 x 33		18,00 x 33		3.2
4X	2	4X	2	4X	2	3.3
3 033		3 033		3 033		3.5
3 020		3 020		3 020		3.6
3 020		3 020		3 020		3.7

0 / 59		0 / 59		0 / 59		DIMENSIONS
4 760		4 760		4 760		
1 440		1 440		1 440		4.2
15 370		15 370		15 370		4.3
13 960	13 960	13 960	13 960	13 960	13 960	4.4
18 200		18 200		18 200		4.5
2 645		2 645		2 645		4.8
12 573		12 073		12 573		4.9
9 150		8 750		9 250		4.20
4 220		4 220		4 220		4.21
800	800	800	800	800	800	4.30
400		250		250		4.31
585		585		585		4.32
10 402	12 488	9 877	12 548	10 402	12 488	4.34
13 046	14 322	12 454	14 096	13 046	14 322	
13 246	14 522	12 654	14 296	13 246	14 522	
14 351	15 754	13 699	15 506	14 351	15 754	
9 173		8 590		9 173		4.35

18,7		22,3		18,7		22,4		18,7		22,3		PERFORMANCE
20,4		23,8		20,4		23,9		20,4		23,8		
0,25		0,48		0,25		0,48		0,25		0,48		5.2
0,28		0,50		0,28		0,50		0,28		0,50		5.3
0,46		0,45		0,46		0,45		0,46		0,45		5.3
374		376		374		376		374		376		5.6
19		22		19		22		19		22		5.7
29		29		29		29		29		29		5.8
Oil immersed brakes		Oil immersed brakes		Oil immersed brakes		Oil immersed brakes		Oil immersed brakes		Oil immersed brakes		5.10

Cummins QSM11		Cummins QSM11		Cummins QSM11		ENGINE	
224 (300)	216 (290)	224 (300)	216 (290)	224 (300)	216 (290)		7.1
optional 272 (365)	242 (325)	optional 272 (365)	242 (325)	optional 272 (365)	242 (325)	7.2	
2 100		2 100		2 100		7.3	
6		10 800		6		10 800	7.4
6		10 800		6		10 800	7.5

4-speed autoshift SOH TE27		4-speed autoshift SOH TE27		4-speed autoshift SOH TE27		OTHER
optional SOH TE32		optional SOH TE32		optional SOH TE32		
260		260		260		8.2
70 or 110		70 or 110		70 or 110		8.3
71		71		71		8.4
109.6		109.6		109.6		8.4.1
-		-		-		8.5

■ For CH models only: With optional P(owered) P(ile) S(lope) function:
 Deduct 310mm from dimension h4.

◆ Spreader at 8.0m high

● This data is with the container carried 500mm in front
 of the wheels

▣ Consult your Hyster lift truck dealer

All capacities are according to prEN1459

All specifications and capacities are valid for trucks equipped with a Hyster
 container handling spreader for handling ISO containers.

CE Safety: This truck conforms to the
 current EU requirements.

Operators must be trained and adhere to the
 instructions contained in the Operating Manual.

CHARACTERISTICS	1.1	Manufacturer	
	1.2	Model designation	
	1.3	Power: battery, diesel, LPG, electric mains	
	1.5	Load capacity first / second / third container row	Q (kg)
		Load capacity first / second / third row, with Stabilizer applied (truck static)	Q (kg)
	1.6	Load centre first / second / third container row, from face of front tyres †	$c_1/c_2/c_3$ (mm)
1.8	Load distance to face of front tyres / front of Stabilizer	x (mm)	
1.9	Wheelbase	y (mm)	

WEIGHTS	2.1	Unladen weight	kg
	2.2	Axle loading with load, front / rear	kg
	2.3	Axle loading without load, front / rear	kg

WHEELS & TYRES	3.1	Tyres: L=pneumatic, V=solid, SE=pneumatic-shaped solid	
	3.2	Tyre size, front	
	3.3	Tyre size, rear	
	3.5	Number of wheels, front / rear (X = driven)	
	3.6	Track width, front	(mm)
	3.7	Track width, rear	(mm)

DIMENSIONS	4.1	Boom angle minimum / maximum	degrees
	4.2	Boom height, minimum	h_1 (mm)
	4.3	Minimum distance spreader from ground ■	h_2 (mm)
	4.4	Maximum lift height under spreader, first / second container row ■	h_2 (mm)
	4.5	Boom height, maximum	h_4 (mm)
	4.8	Seat height	h_6 (mm)
	4.19	Overall length	h_7 (mm)
	4.20	Length without boom	l_1 (mm)
	4.21	Overall width over front tyres	l_2 (mm)
	4.30	Sideshift movement, from centre to left / right	b_2 (mm)
	4.31	Ground clearance lowest point, without load	m_1 (mm)
	4.32	Ground clearance, centre of wheelbase	m_2 (mm)
	4.34	90° Stacking Aisle 20° / 40°, spreader central above front axle, without operating clearance ◆	A_{st} (mm)
		90° Stacking Aisle 20° / 40°, without operating clearance ●	A_{st} (mm)
90° Stacking Aisle 20° / 40°, with 200 mm operating clearance ●		A_{st} (mm)	
90° Stacking Aisle 20° / 40°, with 10% operating clearance acc. FEM TN01 ●		A_{st} (mm)	
4.35	Outer turning radius	W_a (mm)	

PERFORMANCE	5.1	Travel speed with load / without load - with 224 kW engine	km/h
		Travel speed with load / without load - with optional 272 kW engine	km/h
	5.2	Lifting speed with load (35 ton) / without load, first row average - with 224 kW engine	m/sec
		Lifting speed with load (35 ton) / without load, first row average - with optional 272 kW	m/sec
	5.3	Lowering speed with / without load	m/sec
	5.6	Maximum drawbar pull with load	kN
	5.7	Gradeability with load, with 224 kW / optional 272 kW engine (1.6 km/h)	%
	5.8	Maximum gradeability with load (224 kW engine)	%
	5.10	Service brake	

ENGINE	7.1	Engine make and type	
	7.2	Engine power, in accordance with ISO1585, maximum @ 1800 rpm / nominal @ maximum 2100 rpm	kW (hp)
	7.3	Governed maximum engine speed	rpm
	7.4	Number of cylinders / displacement	cm^3
	7.5	Fuel consumption, average	l/h

OTHER	8.1	Drive control	
	8.2	Pressure for attachments	bar
	8.3	Oil flow for attachments	l/min
	8.4	Noise level LpAZ, inside cab, per EN12053 †	dB (A)
	8.4.1	Noise level LWAZ outside truck, per 200	dB (A)
	8.5	Towing coupling type	

HYSTER			HYSTER			HYSTER		
RS 45-24 IH			RS 45-28 IH			RS 46-33 IH		
Diesel			Diesel			Diesel		
45 000	24 000	11 000	45 000	28 000	12 000	46 000	33 000	17 000
N/A			N/A			N/A		
1 865	3 815	6 315	1 865	3 815	6 315	1 865	3 815	6 315
840 / N/A			840 / N/A			930 / N/A		
6 200			6 200			6 200		

72 220			75 920			83 290		
105 244	11 976		104 994	15 926		108 761	20 529	
42 793	29 427		42 542	33 378		44 198	39 092	

L		L		L	
18,00 x 25		18,00 x 25		18,00 x 33	
18,00 x 25		18,00 x 25		18,00 x 33	
4X	2	4X	2	4X	2
3 033		3 033		3 033	
3 020		3 020		3 020	

0 / 59		0 / 59		0 / 59	
4 700		4 700		4 760	
882		882		981	
14 780	13 375	14 780	13 375	14 880	13 375
18 110		18 110		18 200	
2 555		2 555		2 645	
11 873		11 873		12 073	
8 360		8 360		8 650	
4 220		4 220		4 220	
800	800	800	800	800	800
312		312		400	
495		495		585	
9 706	12 548	9 706	12 548	9 877	12 548
12 283	14 096	12 283	14 096	12 454	14 096
12 483	14 296	12 483	14 296	12 654	14 296
13 511	15 506	13 511	15 506	13 699	15 506
8 420		8 420		8 590	

19,9	23,1	19,9	23,1	20,4	25,3
21,3	23,4	21,3	23,4	22,6	25,7
0,24	0,47	0,24	0,47	0,24	0,47
0,27	0,47	0,27	0,47	0,27	0,47
0,46	0,45	0,46	0,45	0,46	0,45
378		378		378	
22	26	22	26	22	26
33		32		31	
Oil immersed brakes		Oil immersed brakes		Oil immersed brakes	

Cummins QSM11		Cummins QSM11		Cummins QSM11	
224 (300)	216 (290)	224 (300)	216 (290)	224 (300)	216 (290)
optional 272 (365)	242 (325)	optional 272 (365)	242 (325)	optional 272 (365)	242 (325)
2 100		2 100		2 100	
6	10 800	6	10 800	6	10 800
☎		☎		☎	

4-speed autoshift SOH TE27 optional SOH TE32	4-speed autoshift SOH TE27 optional SOH TE32	4-speed autoshift SOH TE27 optional SOH TE32
260	260	260
70 or 110	70 or 110	70 or 110
71	71	71
109,6	109,6	109,6
-	-	-

NOTE: Specifications are affected by the condition of the vehicle and how it is equipped, as well as the nature and condition of the operating area. If these specifications are critical, the proposed application should be discussed with your dealer.

† Gradeability figures (lines 5.7 & 5.8) are provided for comparison of tractive performance, but are not intended to endorse the operation of the vehicle on the stated inclines. Follow instructions in the operating manual regarding operation on inclines.

HYSTER			HYSTER			HYSTER			
RS 46-38L IH			RS 46-38S IH			RS 46-38LS IH			1.1
Diesel			Diesel			Diesel			1.2
46 000	38 000	20 000	46 000	35 000	18 000	46 000	38 000	20 000	1.5
N/A			46 000	38 000	25 000	46 000	38 000	27 000	
1 865	3 815	6 315	1 865	3 815	6 315	1 865	3 815	6 315	1.6
930 / N/A			930			930			1.8
6 700			6 200			6 700			1.9

CHARACTERISTICS

86 180			86 500			88 180			2.1
109 088	23 092		110 979	21 521		111 307	22 873		2.2
45 911	40 269		46 416	40 084		48 129	40 051		2.3

WEIGHTS

L		L		L		
18,00 x 33		18,00 x 33		18,00 x 33		3.1
18,00 x 33		18,00 x 33		18,00 x 33		3.2
4X		4X		4X		3.5
3 033		3 033		3 033		3.6
3 020		3 020		3 020		3.7

WHEELS & TYRES

0 / 59		0 / 59		0 / 59		4.1
4 760		4 760		4 760		4.2
981		981		981		4.3
14 880	13 375	14 880	13 375	14 880	13 375	4.4
18 200		18 200		18 200		4.5
2 645		2 645		2 645		4.8
12 573		12 073		12 573		4.19
9 150		8 750		9 250		4.20
4 220		4 220		4 220		4.21
800	800	800	800	800	800	4.30
400		250		250		4.31
585		585		585		4.32
10 402	12 488	9 877	12 548	10 402	12 488	4.34
13 046	14 322	12 454	14 096	13 046	14 322	
13 246	14 522	12 654	14 296	13 246	14 522	
14 351	15 754	13 699	15 506	14 351	15 754	4.35
9 173		8 590		9 173		

DIMENSIONS

18,6	22,3	18,6	22,3	18,6	22,3	5.1
20,3	23,0	20,3	23,0	20,3	23,0	
0,24	0,47	0,24	0,47	0,24	0,47	5.2
0,27	0,47	0,27	0,47	0,27	0,47	
0,46	0,45	0,46	0,45	0,46	0,45	5.3
376		376		376		5.6
18	21	19	22	18	21	5.7
28		29		28		5.8
Oil immersed brakes		Oil immersed brakes		Oil immersed brakes		5.10

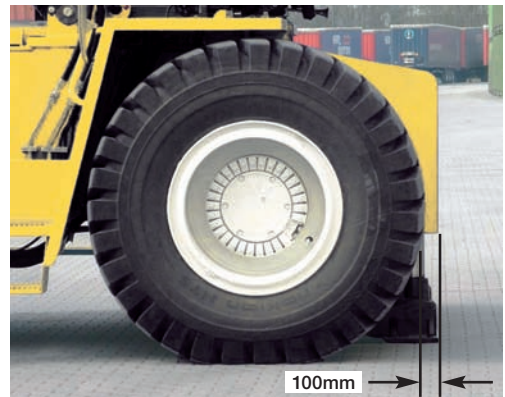
PERFORMANCE

Cummins QSM11		Cummins QSM11		Cummins QSM11		
224 (300)	216 (290)	224 (300)	216 (290)	224 (300)	216 (290)	7.1
optional 272 (365)	242 (325)	optional 272 (365)	242 (325)	optional 272 (365)	242 (325)	7.2
2 100		2 100		2 100		7.3
6	10 800	6	10 800	6	10 800	7.4
☎		☎		☎		7.5

ENGINE

4-speed autoshift SOH TE27 optional SOH TE32	4-speed autoshift SOH TE27 optional SOH TE32	4-speed autoshift SOH TE27 optional SOH TE32	
260	260	260	8.1
70 or 110	70 or 110	70 or 110	8.2
71	71	71	8.3
109,6	109,6	109,6	8.4
-	-	-	8.4.1
-	-	-	8.5

OTHER



- For CH models only: With optional P(owered) P(ile) S(lope) function:
Deduct 310mm from dimension h4.
 - ◆ Spreader at 8.0m high
 - This data is with the container carried 500mm in front of the wheels
 - ☎ Consult your Hyster lift truck dealer
- All capacities are according to prEN1459

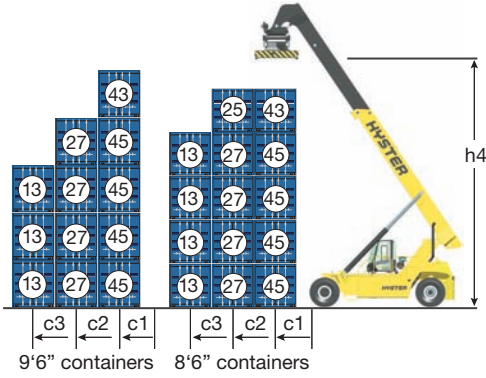
All specifications and capacities are valid for trucks equipped with a Hyster container handling spreader for handling ISO containers.

CE Safety: This truck conforms to the current EU requirements.

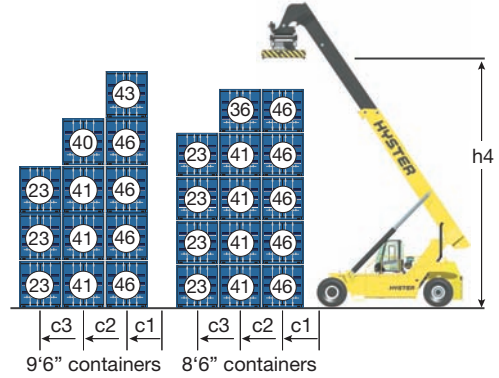
Operators must be trained and adhere to the instructions contained in the Operating Manual.

Rated Capacities and Stacking Heights – Container Handlers

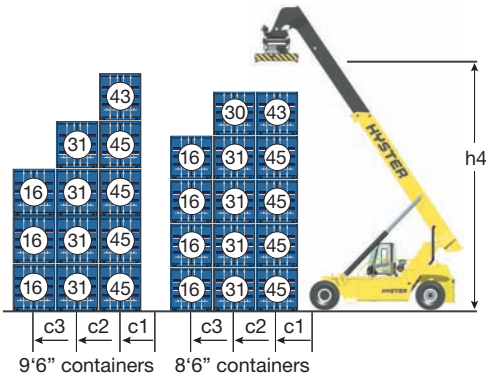
RS 45–27 CH Container Spreader



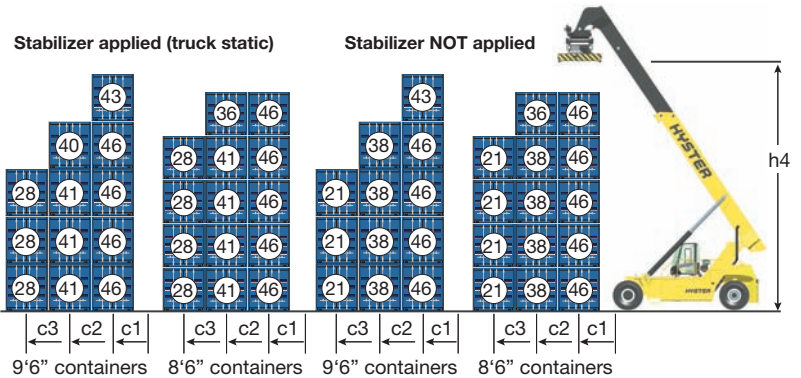
RS 46–41L CH Container Spreader



RS 45–31 CH Container Spreader

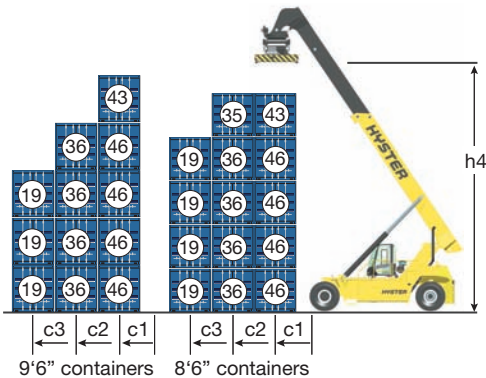


RS 46–41S CH Container Spreader

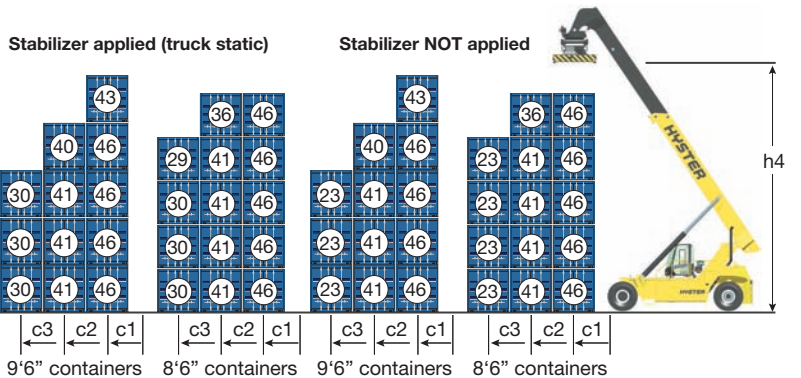


Note: All load centres c1, c2, c3 are taken from the front face of the (front) tyres, deduct 100mm for load centres taken from the front face of the Stabilizer.

RS 46–36 CH Container Spreader



RS 46–41LS CH Container Spreader

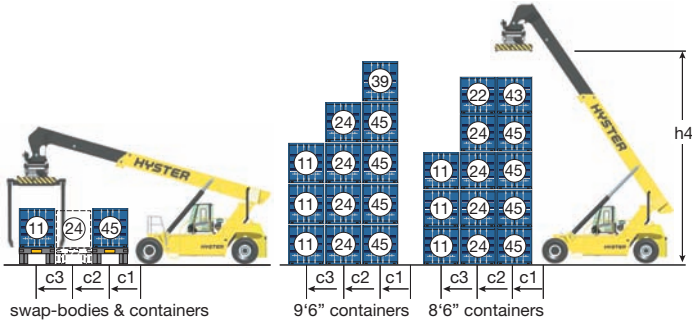


Note: All load centres c1, c2, c3 are taken from the front face of the (front) tyres, deduct 100mm for load centres taken from the front face of the Stabilizer.

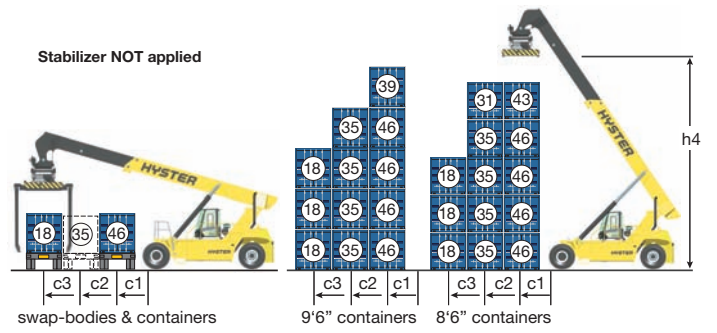
NOTE: Care must be exercised when handling elevated loads. When the load is elevated, truck stability is reduced.

Rated Capacities and Stacking Heights – Intermodal Handlers

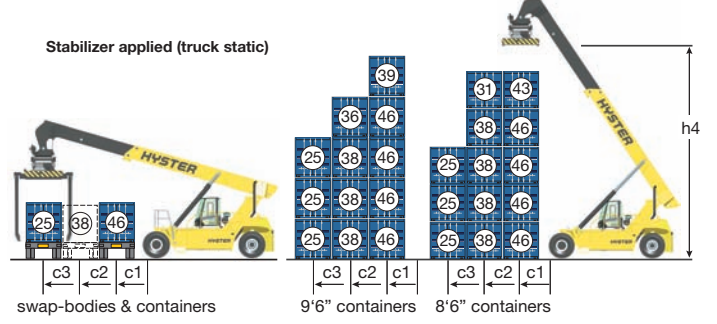
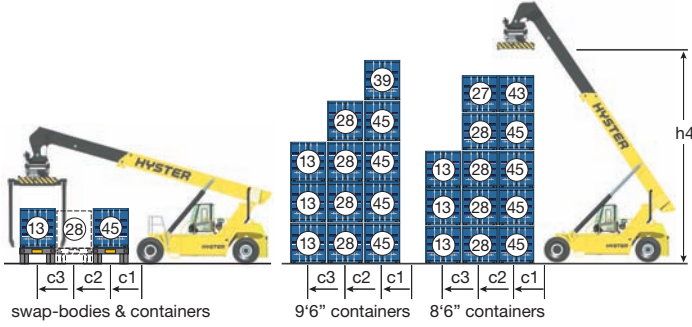
RS 45–24 IH Intermodal Spreader



RS 46–38S IH Intermodal Spreader

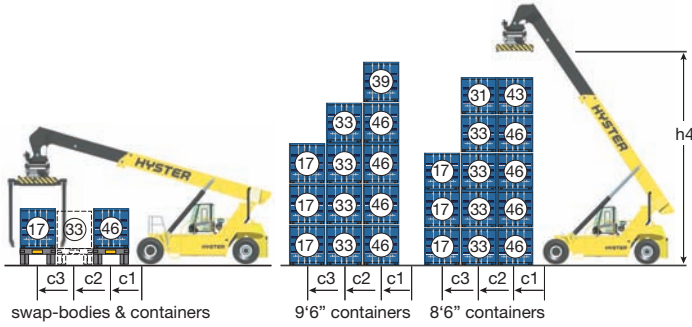


RS 45–28 IH Intermodal Spreader

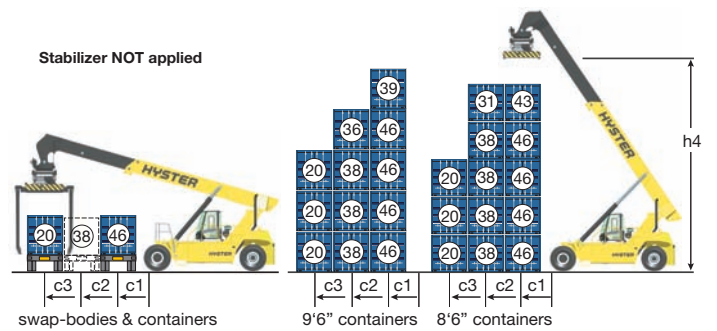


Note: All load centres c1, c2, c3 are taken from the front face of the (front) tyres, deduct 100mm for load centres taken from the front face of the Stabilizer.

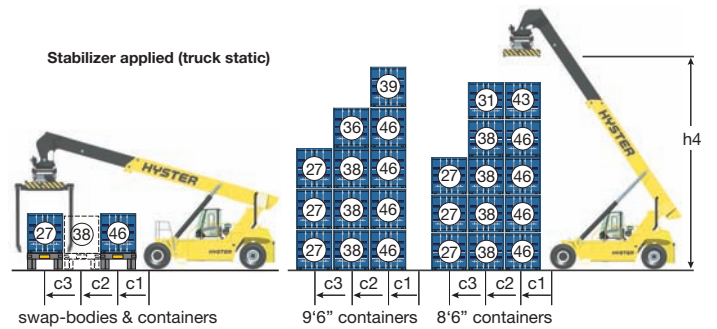
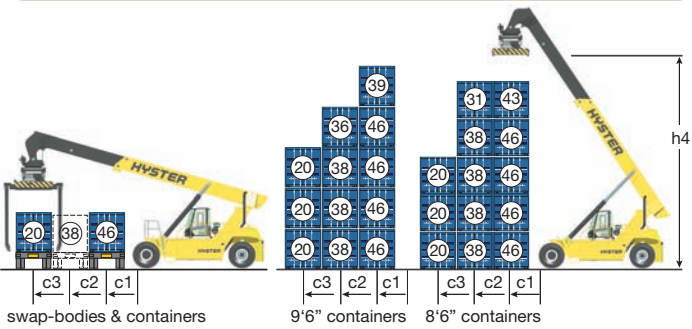
RS 46–33 IH Intermodal Spreader



RS 46–38LS IH Intermodal Spreader



RS 46–38L IH Intermodal Spreader



Note: All load centres c1, c2, c3 are taken from the front face of the (front) tyres, deduct 100mm for load centres taken from the front face of the Stabilizer.

NOTE: Care must be exercised when handling elevated loads. When the load is elevated, truck stability is reduced.



ReachStacker Development Story

Hyster began building ReachStackers in 1995 and since that time, hundreds have been delivered to customers worldwide.

The latest generation of trucks, the RS45-46 range consists of 12 models, starting with 'first row' Container Stackers through to 'second-rail' Intermodal Handlers.

This latest generation, in addition to adopting the best features of the previous generation, shares many of the same proven components and systems as featured on the 'first row' Container Stacker Range, the H40.00-50.00XM-16CH and the Heavy Fork Lift Trucks series H36.00-48.00XM(S)-12.





Fastest Lifting Speeds

All-Inclusive Specification

All-Round Visibility & Sliding Vista™ Cab

Compact Design

Proven Concept

First, Second and Third Row ReachStackers

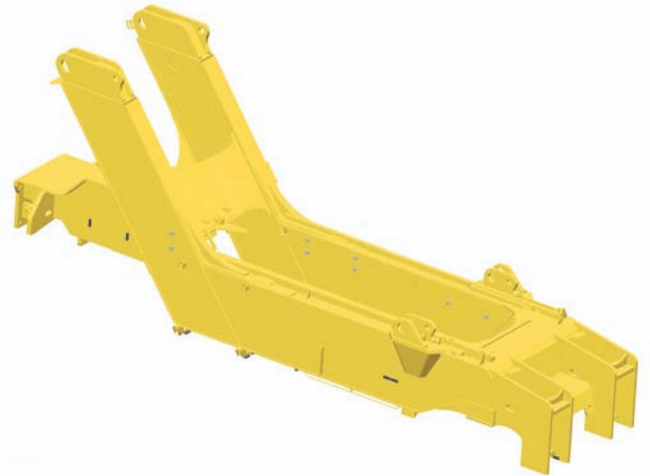
The Hyster RS range of **ReachStackers** has been designed to achieve maximum space utilisation on container terminals, thanks to outstanding manoeuvrability, superior handling speeds and unrestricted stacking capabilities, in an all-in-one package:

- › **Compact** machine with a wheelbase of 6.2 m, and a turning radius of just 8.42 m to 8.5 m (depending on the model). The RS46-41LS CH and RS46-38LS IH models have a wheelbase of 6.7 m and a turning radius of 9.17 m.
 - › **Fast lifting:** The practical average 4-mode speed is a fantastic 41cm /sec., and this with the standard 224 kW (300 Hp) engine.
 - › **Capacities** of up to **41 tonnes** in the 2nd row, for the CH model, ensuring that there are no container weight limitations when handling containers in the 2nd row.
 - › **Ability** to stack containers **five-high** (9'6" in the 1st row and 8'6" in the second row).
 - › **Excellent visibility** all-round, thanks to a (standard) Powered Sliding Cab, widely spaced rear boom supports, and a sloping rear counterweight.
 - › **Proven concept**, using the key structures (frame, boom and spreader) of the original Hyster ReachStacker, together with the proven driveline, hydraulic and control components of the H40.00-50.00XM- 16CH First Row Container Stackers.
- All-inclusive** specification:
- › **Air conditioning** is standard.
 - › The **Powered Sliding Cab** is standard.
 - › The standard electronic **Load Moment Protection** system features a load weight indicator display.
 - › **Twistlock indicator lights**, on the spreader and in the cab, are standard equipment.
 - › **PDC** (Powered Damping Cylinders) forward/backward 'tilt' control of the spreader is standard.
 - › **Tropical cooling** package, for working in ambient temperatures of up to 50°C is standard.
 - › **Engine and transmission** protection system is standard.
 - › **Automatic transmission shifting** is standard, featuring the APC200 soft-shift system, with **protective lock-out** on forward-reverse shifting.

A Framework of Experience

The frame and boom structures used in the new RS series are based on the proven design employed in the original Hyster ReachStacker and the H40.00-50.00XM-16CH.

- › The frame is immensely strong and the widely spaced rear supports give rigidity and excellent rearward visibility.
- › The pivot points for the boom are positioned right at the back of the frame and therefore minimise boom 'overhang', resulting in a very compact machine and ensuring that the excellent rearward visibility is maintained, even when the boom is raised.
- › The two-stage boom is rectangular in shape, is welded both inside and outside, and telescopes on self-lubricating self-aligning non-metallic bearings.



Power & Performance

Fastest

The hydraulic system is highly efficient, and features 'Power on Demand' and 'Two-Speed Lift' functions.

- › The result is lifting speeds that are class leading: The practical 4-mode average lifting speed is a fantastic 0.41 m/sec. with the standard 224 kW (300 Hp) engine.

Average of four lifting modes:

Unladen lift speed = 0.48 m/sec.

Laden lift speed = 0.25 m/sec (with 70% load = 32 ton).

Unladen lowering speed = 0.45 m/sec.

Laden lowering speed = 0.46 m/sec.

Clean Power Choice

The Hyster **ReachStackers** are equipped with the **Cummins QSM 11 industrial** 6-cylinder in-line turbo-charged diesel engine, with charge-air cooling.

The Cummins QSM 11 diesel engine features:

- › 10.8 litre capacity.
- › **Low exhaust emissions** which conform to the EC Tier 3 standard for NRMM (Non-Road Mobile Machinery).
- › **Engine protection** system, acting on low oil pressure and high coolant temperature. The system initially derates the engine power and finally shuts down the engine and features an override function for emergency situations.

- › **Tropical cooling:** Additional cooling of engine and hydraulic system, for working in ambient temperatures of up to a maximum of up to 50°C.

- › **Fuel tank** 725 litre (660 litre useable) - more than ample for a three-shift operation.

Standard Power Package:

- › Performance of maximum **224 kW (300 Hp)** at only 1800 rpm, offering extra durability for long periods of peak power operation. Smooth torque of **1424 Nm** at 1000-1400 rpm provides excellent acceleration and lugging power, together with low fuel consumption.
- › This 224 kW (300HP) engine is combined with the S.O.H. (Spicer Off-Highway) TE27 4-speed autoshift transmission.
- › The wide AxleTech PRC7534 front drive axle offers excellent sideways stability.
- › Long-term durability thanks to the strongest end-reduction shafts and gears available.
- › Oil-immersed brakes on the drive axle feature oil cooling for durability and are virtually maintenance free.





Optional Power Package:

- › Performance of maximum **272 kW (365 Hp)** at 1800 rpm is available as an option for the heaviest duty applications. Maximum torque is a mighty **1674 Nm** at 1000-1400 rpm.
- › Combined with the S.O.H. TE32 4-speed autoshift transmission and an AxleTech PRC7534 Heavy Duty drive axle (with reinforced spindles).

This “more power package” results in noticeably quicker acceleration and agility, plus 12% higher laden lift speed, and up to 2 km/h faster laden travel speed.

Autoshift

Both available S.O.H. transmissions are fitted with the industry leading ‘APC200’ automatic ‘soft-shift’ gear change system. This autoshift system features:

- › Load-sensitive shifting action.
- › A ‘soft-shift’ characteristic (through electronic ‘throttle-back’ function during gear change). In addition to providing improved driver comfort, the system eliminates shifting-shocks on the driveline.
- › An ‘on the move’ forward-reverse shifting lock-out function protects the transmission and driveline against overloading, during abrupt direction changes.
- › Back-up (reverse driving) alarm.

Tropical Cooling

- › A tropical cooling system is standard and offers additional cooling of the engine and hydraulic systems, for working in ambient temperatures of up to maximum 50°C.

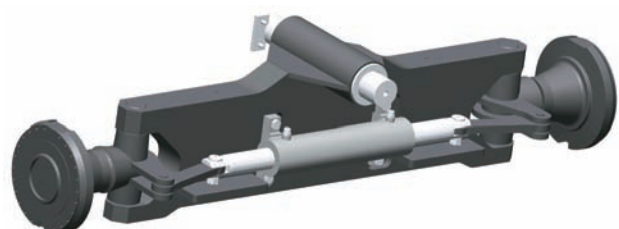
Protection Systems

- › Engine protection system, acting on low oil pressure and high coolant temperature, is standard equipment.
- › Transmission protection system, acting on high oil temperature, is also standard equipment.

These systems initially derate the engine power and finally shut down the engine, and feature an override function for emergency situations.

Hyster Steer Axle

- › Double-acting, single steering cylinder with non-adjustable tie rods. It is renowned for its long lifespan and low maintenance requirements.
- › Steer wheel nut protection (recessed studs) is also standard.





Exceptional All-round Visibility

The RS series features the Hyster "Vista" cab, which has been designed to be the industry-leading ergonomic operator environment, and focuses on optimising driver comfort and visibility for maximum productivity, through:

- › Large windows, fitted with tinted safety glass, offer excellent all-round visibility. This is further enhanced in poor weather conditions by a fresh air inlet, sliding windows, an effective heater and defroster and wipers (with intermittent wipe function) and washers on front, top and rear screens.
- › Air-conditioning is integrated into the heating and ventilation system, with manual temperature control. Sunshade screens are fitted on the top and rear windows.
- › Joystick for intuitive control of boom lift and telescope, and spreader functions: Sideshift, Rotation, Telescope 20'-40'. Twistlock unlocking (locking is automatic) is operated separately by a toggle switch.
- › Full-suspension fully adjustable driver's seat with a high backrest, seat belt, "park brake off" warning buzzer, operator presence system, map reading light and extra air circulation fan.

- › Adjustable steering column, power-assisted steering and lever controls, push-button parking brake and conveniently positioned instruments.
- › Responsive, fully hydraulic brakes and an automotive style pedal layout further contribute to driver confidence and comfort.
- › Wide-view rear view mirrors inside cab, outside rear view mirrors on front fenders.
- › Low noise level of 74 dB(A) driver's ear BITA equivalent.

A Powered Sliding Cab is Standard on the New ReachStacker

- › The cab can be moved to various positions for optimum visibility in variable operating conditions and/or to accommodate drivers preferences.
- › The Powered Sliding Cab is operated by a switch inside the cab - to save time this can done while driving and/or lifting.

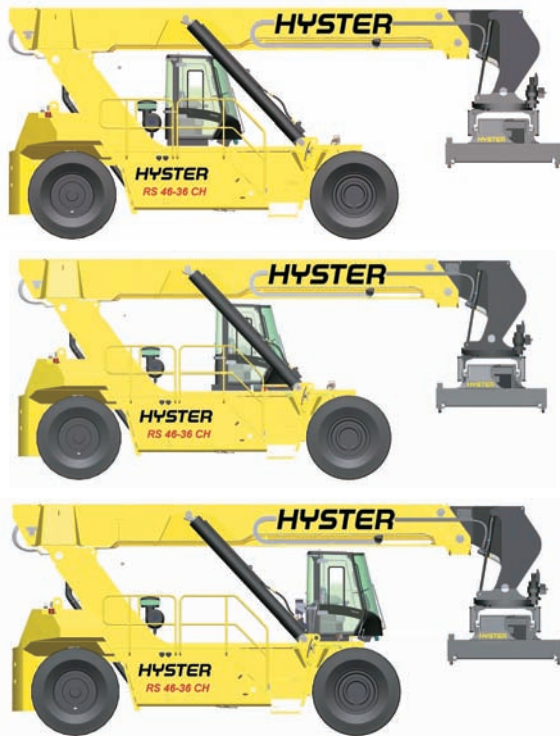


Illustration shows CH model with optional Full-sliding cab



Powered Sliding Cab

A powered **Partial-sliding** cab is standard on CH models:

- › When the cab is located at the rear of the machine, it offers the most comfortable viewing angle when stacking containers 4-5 high, and this is often preferred by drivers, due to its position behind the lift cylinders.
- › The partial forward (0.9 m max.) cab position offers an unobstructed view of 40' (and 45'!) containers, from low (lorry bed) height up to higher lifting heights.

Cab entry / exit is only possible in the rearward position.

A Powered **Full-sliding** cab is standard on IH models (optional on CH models):

- › The cab can slide from the rear of the machine over 2.6 m to a fully forward position. This is essential for IH models when handling swap-bodies or trailers, so that the driver can see the grapple feet at ground level.
- › Some drivers also prefer the fully forward position for low height container handling.
- › Access is easy, thanks to convenient staircases plus platforms with handrails, and wide opening doors.
- › For the version with powered full-sliding cab, extra steps and handrails are provided, on the left-hand front fender, to facilitate for cab entry / exit in the forward position. A second set of rear view mirrors, positioned on the front fenders is included as standard.
- › The truck is equipped with a comprehensive set of road and work lights and two orange flashing beacons. For further details see under **Lights**.



Rear Visibility

Rearward visibility has been greatly enhanced thanks to:

- › The widely spaced rear boom supports, and rear-sloping design of the counterweight.
- › The size of the counterweight extending out at the rear of the machine has been kept to a minimum. This has been achieved by using a solid piece of metal for the rear section of the box-type frame, so keeping much of the required ballast inside the machine.
- › The unique 'boomerang' shaped frame, with the pivot point of the boom at the furthest point to the rear.

Ease of Servicing

- › The hydraulic oil tank features a gauge for oil level and temperature as well as magnetic drain plugs.
- › The cab is powered (Partial or Full-sliding) in combination with quickly removable (lightweight aluminium) floor plate sections, which provides truly excellent access for service work.



Hydraulic & Electrical Systems

Hydraulics

- › **Pumps:** Two variable-displacement piston pumps with a total performance of maximum 585 l/min.
- › Hyster two-speed system with regenerative function results in high lift speeds.
- › Leak-free ORFS (O-ring) type fittings are used throughout the whole machine.
- › **Filtration:** Full-flow return line filter with 10 micron cartridge on the main system, plus in-line pressure filter with 20 micron on power-assist and support systems.
- › Large oil cooler for the hydraulic system, suitable for working in ambient temperatures of up to 50°C
- › **Hydraulic oil tank:** 600 litre useable volume, with level and temperature gauge and magnetic drain plugs.
- › Emergency lowering device, to lower the spreader when the engine is not running.

- › Centralised pressure check points with a digital pressure indicator on brake system accumulator.
- › Damping system on the longitudinal (forwards / backwards) oscillating movement of the spreader, providing an effective 'controlled sway' of the spreader, under varying load weight and operating conditions.

Electrics

- › 24 Volt system, 70 A alternator, battery master switch.
- › 'CANbus' diagnostic connection in the cab for engine, transmission, instruments, and load-moment protection system.



Spreader Specifications

Container Handling Spreader

The Hyster 'CH' type Telescopic Container spreader, for handling 20'-40' ISO containers, features:

- › A uniquely widely spaced boom head, to provide strong support for the Spreader.
- › A rotator with two hydraulic oil-immersed brakes and one hydraulic motor.
- › Ample rotation angle of +195 / -105 degrees.
- › A very smooth and precise rotation function, thanks to the unique Hyster two-speed system with a soft-start function. In addition the rotation function is cushioned by a hydraulic accumulator.
- › Powered Damping Cylinders (PDC) function, to 'tilt' the spreader forwards and backwards, over +/- 5 degrees, with limited power.
 - Operated by a control knob on the joystick.
 - Facilitates, for example, the easier positioning of the spreader onto containers, which are located on sideways (not front to back) sloping trailers. (For IH models, it is also used to facilitate easier engagement onto the bottom-lift points of trailers / swap-bodies).
- › Free (non-powered) sideways articulation of +/- 2.5 degrees, to facilitate easy handling of containers on / off sloping trailers.
- › 1600 mm total sideshift movement, 800 mm to each side.
- › Pendular floating ISO twistlocks.
- › Twistlocks turn automatically to locked position, unlocking is done manually.

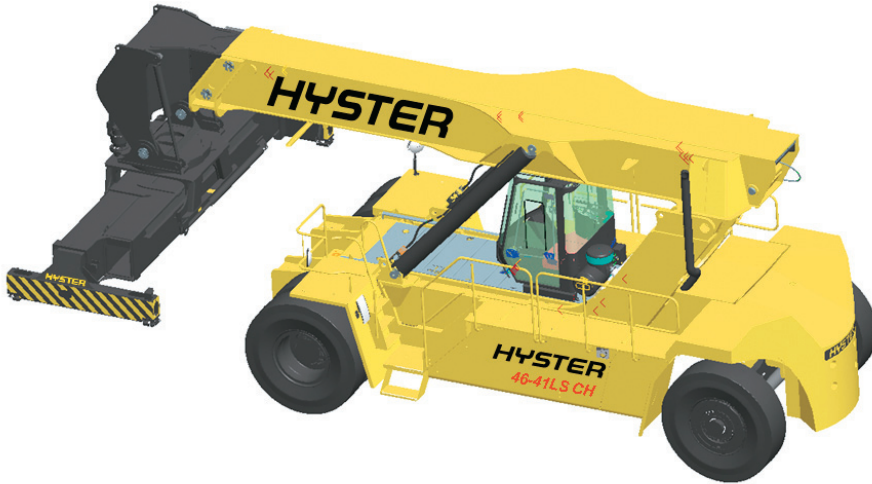


- › Twistlock indicator lights positioned under the boom, and also inside the cab on the ceiling.
 - › Twistlock lock-out device, to help prevent;
 - Picking up of a container on less than 4 corners
 - Unlocking when carrying a container.
 - › Lift interrupt system on partially turned twistlocks, so lifting is possible only when twistlocks are either in the fully locked or in the unlocked position*.
 - › 4 Lifting eyes on the 4 corners of the end-beams of the telescopic container spreader, for lifting general cargo (of minimum 6 m length). Note: Full capacity use (40 tonne) is only allowed in 20' (6 m) or in the 40' (12 m) end-positions of the spreader, not in any in-between positions.
- * With optional extra 30' automatic stop:
Also suitable for general cargo lifted at 9 m length position.

Intermodal Spreader

Equipped as the 'CH' spreader, with, in addition:

- › PPS: 'Powered Pile Slope' (hydraulically powered sideways articulation of +/- 6.0 degrees), operated by 4 cylinders, to facilitate the precise positioning of the bottom-lift grapple feet onto (sloping) swap-bodies / trailers.
- › Free (non-powered) sideways articulation is +/- 1.5 degrees, to facilitate easy handling of containers on / off sloping trailers.
- › 4 integrally mounted 'bottom-lift' legs (at a fixed lateral distance of 4875 mm centre to centre), to handle swap-bodies / trailers (European types with bottom-lift points according to ISO 1496/1).
- › When handling containers, all 4 legs can be hydraulically rotated (swivelled) upwards. The 'block-stacking' feature (standard equipment) allows the bottom-lift legs to fold-up within the contours of a (2.44 m wide) ISO container.



Other Features

Brakes

Service Brake: Multiple oil immersed (wet) discs on the drive axle, with cooling system.

Parking Brake: Dry disc brake on the drive axle input shaft, spring applied and hydraulically released.

Electronic Load Moment Control System

- › With automatic shut-off beyond the rated load-moment.
- › Automatic shut-off function on boom lowering and telescope-out).
- › Warning lights in the dash board: Green, Orange (at 90% load-moment), Red (at 100% rated load moment)
- › Digital display unit, showing actual load, max. rated load, and load distance plus load height.

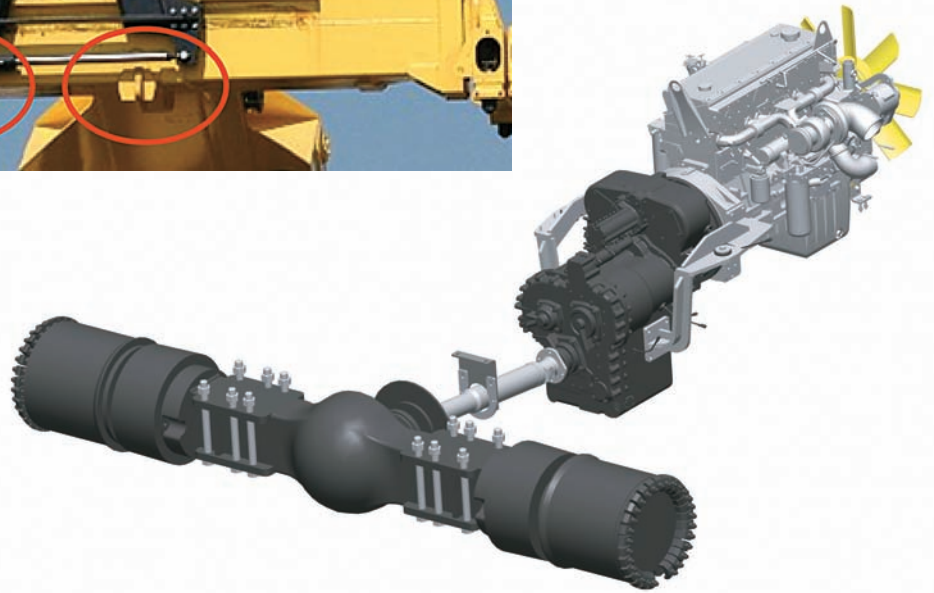
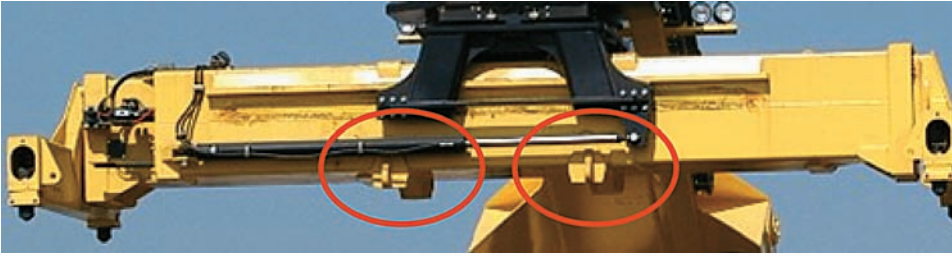
Lights

8 front work lights (4 on the boom and 2 on the front fenders and 2 rear, all halogen type) 2 front marker lights, 4 direction indicators, 2 tail/stop lights, 2 orange flashing beacons (one each side of boom).

2 work lights on the container spreader, directed towards the engagement points (4 work lights with intermodal spreader).

Electrics

24 V, 70 A alternator, 184 Ah battery with master switch.



Optional Equipment

- › **Extra power package:** 272 kW / 365 Hp engine and TE32 transmission and PRC7534HD drive axle, in place of the standard 224 kW / 300 Hp engine, TE27 transmission and PRC7534 drive axle.
- › **Special tyres:** Bias or diagonal type, with tread or as 'slicks'.
- › **Automatic greasing system:** On the truck, the boom and the CH or IH spreader.
- › **Special RAL colour(s)** paint.
- › **Spare wheel** (complete tyre and rim).
- › **Full-sliding cab** on a CH model.

On the Container or Intermodal Spreader:

- › **30' Automatic stop**, is required when handling (a) 30' container(s). Consists of: Spreader reinforcements and electrically operated mechanical stop locks at 30' spreader position.
- › **Extra lifting eyes (4 x)** on the underside of the container spreader. Placed at 1335 mm (width) distance, for lifting compact general cargo (e.g. coils, blocks, machinery). Capacity 40 tonnes maximum, 10 tonnes per lifting eye. Includes reinforcements of the spreader structure.
Note: The 4 lifting eyes at the four corners of the spreader (near the twistlocks), are standard equipment.

- › PPS (Powered Pile Slope) function on the CH spreader (standard on IH). Please consult your dealer for application advice of the PPS function.

In-Cab and Operator Convenience Items:

- › **Large multi-function colour display** (screen size 86 x 115 mm) on the Load Moment Control system, with extra functions: Engine rpm, travel speed, engine temperature.
- › **Air suspended seat**, instead of mechanically suspended seat.
- › **Trainer seat** (small extra seat cushion)
- › **Support stand** with mounting plate, to fit computer terminal or communications equipment, in right-front area of the cab. (Restricts access via the right-hand cab door).
- › **Converter:** 24 Volt DC to 12 Volt DC, to use 12 V accessories.
- › **H.I.D.** ('High Intensity Discharge' Xenon lights) **work lights**, (4 x on the boom and 1 x on the rear of the truck), instead of standard Halogen lights.
Note: Only suitable for (non-public) on-terminal use, as these very bright lights may cause inconvenience for other operators / personnel.
- › **Lights** on the staircase and in the engine compartment.



Strong Partners, Tough Trucks, for Demanding Operations, Everywhere.

Hyster supplies a complete range of warehouse equipment, IC and electric counterbalanced trucks, container handlers and reach stackers.

Hyster is committed to being much more than a lift truck supplier. Our aim is to offer a complete partnership capable of responding to the full spectrum of materials handling issues:

Whether you need professional consultancy on your fleet management, fully qualified service support, or reliable parts supply, you can depend on Hyster.

Our network of highly trained dealers provides expert, responsive local support. They can offer cost-effective finance packages and introduce effectively managed maintenance programmes to ensure that you get the best possible value. Our business is dealing with your materials handling needs so you can focus on the success of your business today and in the future.



Hyster Europe, Flagship House, Reading Road North, Fleet, Hants GU51 4WD, England.

Tel: +44 (0) 1252 810261

Fax: +44 (0) 1252 770702

Email: info@hyster.co.uk

<http://www.hyster.co.uk>

A division of NACCO Materials Handling Limited.

Hyster®, **HYSTER**®, & Monotrol® are registered trademarks of Hyster Company in certain countries.

Fortens™, Pacesetter VSM™, DuraMatch™, DuraMatch Plus™, TouchPoint™, TouchControl™, EZXchange™, HSM™ & Vista™ are trademarks of Hyster Company in the United States and in certain countries where rights in unregistered trademarks are recognised.

Hyster products are subject to change without notice. Lift trucks illustrated may feature optional equipment.

